

Container chassis



Keep things moving forward.





Typ 1

Container chassis type CCS/MHS with central and rear telescopic extension



Typ 2

Container chassis type CCS/HS with rear telescopic extension

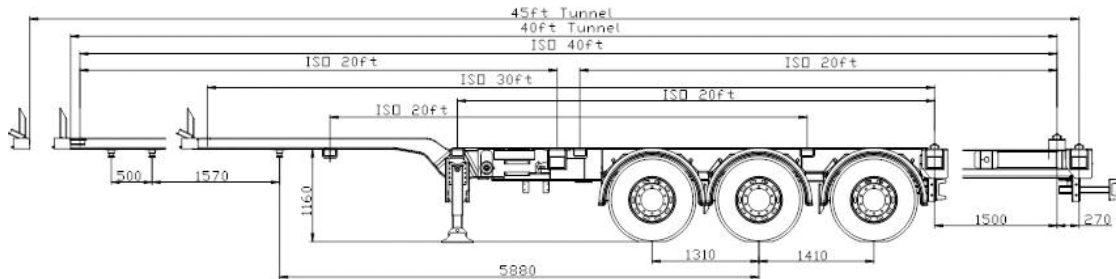


Typ 3

Container chassis type CCS/GF ,harbour

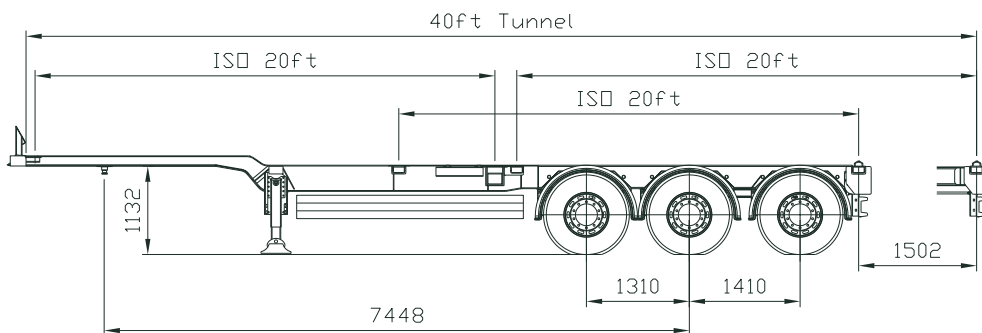
Container chassis specifications

Dimensions	CCS/MHS	Weight	
Length, retracted	9.450 mm	Perm. total weight	39.000 kg
Length, extracted	12.520 mm	Perm. fifth-wheel load	12.000 kg
Fifth-wheel height	1.160 mm	Perm. bogie load	27.000 kg
Loading height above neck	1.290 mm	Tare weight	5.950 kg
Loading height, rear; 385/65 R22.5	1.170 mm	Payload	33.050 kg



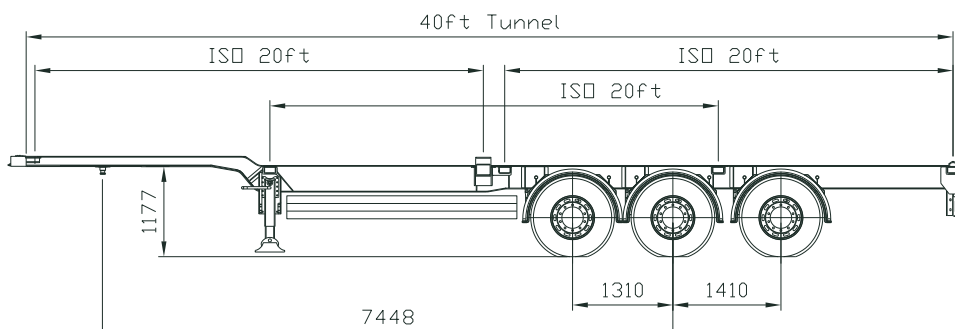
Typ 1

Dimensions	CCS/HS	Weight	
Length, retracted	11.020 mm	Perm. total weight	39.000 kg
Length, extracted	12.520 mm	Perm. fifth-wheel load	12.000 kg
Fifth-wheel height	1.160 mm	Perm. bogie load	27.000 kg
Loading height above neck	1.290 mm	Tare weight	5.300 kg
Loading height, rear; 385/65 R22.5	1.170 mm	Payload	33.700 kg



Typ 2

Dimensions	CCS/GF	Weight	
Total length	12.520 mm	Perm. total weight	39.000 kg
Fifth-wheel height	1.160 mm	Perm. fifth-wheel load	12.000 kg
Loading height above neck	1.290 mm	Perm. bogie load	27.000 kg
Loading height, rear; 385/65 R22.5	1.170 mm	Tare weight	5.650 kg
		Payload	33.350 kg



Typ 3



Front guide



Landing gear with wheel-chuck bracket



Function switch in protective box



Height-adjustable container lock



Document tube



Spacers for height adjustment



Lock for rear extension



Rear extension

Keep things moving forward.